



RAM® Docks for ET60 / ET65 / ET60W / ET65W

AVAILABLE SKUS



CLICK OR SCAN
TO VIEW ALL PRODUCTS



Compatible with ET60W / ET65W

Docks

RAM-HOL-ZE25U

Non-powered

RAM-HOL-ZE25LU

Non-powered, Non-locking

RAM-HOL-ZE25PU

Powered

RAM-HOL-ZE25PLU

Powered, Locking

RAM-HOL-ZE25PDU

Power, Single USB Type-A

RAM-HOL-ZE25PDLU

Power, Single USB Type-A, Locking

RAM-HOL-ZE25PD2U

Power, Dual USB Type-A

RAM-HOL-ZE25PD2LU

Power, Dual USB Type-A, Locking

Docks w/ Heated Pogo Pins

RAM-HOL-ZE25PHU

Powered, Heated

RAM-HOL-ZE25PHLU

Powered, Locking, Heated

RAM-HOL-ZE25PDHU

Power, Single USB Type-A, Heated

RAM-HOL-ZE25PDHLU

Power, Single USB Type-A, Locking, Heated

RAM-HOL-ZE25PD2HU

Power, Dual USB Type-A, Heated

RAM-HOL-ZE25PD2HLU

Power, Dual USB Type-A, Locking, Heated

Accessories

RAM-GDS-ROTO2-ZE25U

GDS® Roto-Mag™ 4-in-1 Accessory

PRIMARY MARKETS



PUBLIC SAFETY



WAREHOUSE & MANUFACTURING



FIELD SERVICE

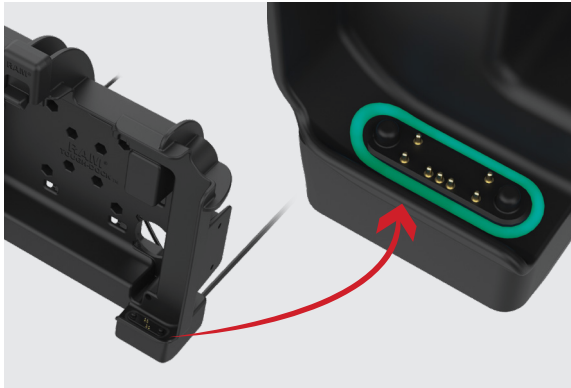
Patented & Pats Pend.
rammount.com/ip



RAM® Docks for ET60 / ET65 / ET60W / ET65W

FEATURES

Patented & Pats Pend.
rammount.com/ip



Self-Aligning Docking Pads

For powered, and power + USB docks, built-in pogo pin charging contacts include self-aligning docking pads providing a reliable connection with the device's charging contacts. To ensure full contact and proper docking alignment, these soft pads surround the pogo pins and flex as the device is seated.



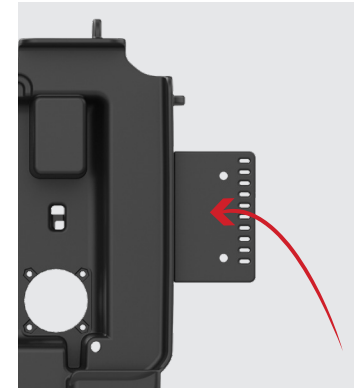
Zebra Keyboard Compatible

Unique 2-in-1 latch secures the ET60/ET65 while allowing attachable Zebra keyboard to open and close freely.



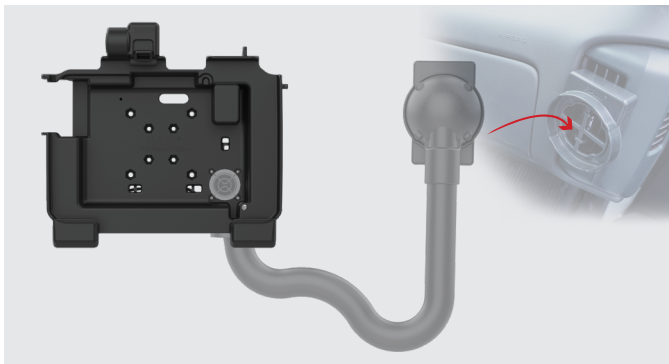
Heated Pogo Pins

Built-in heating elements provide the necessary heat required to prevent pogo pins from locking up, allowing them to operate in wet and freezing environments.



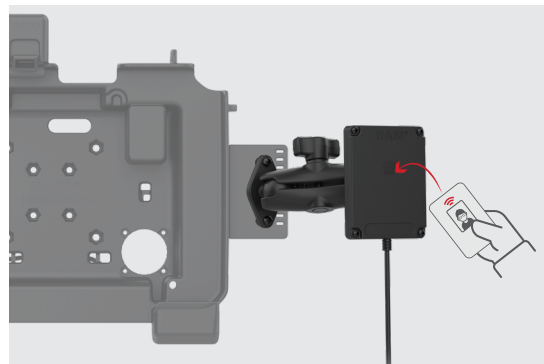
2-Hole AMPS Accessory Add-on Bracket

Includes a 2-Hole AMPS add-on bracket for accessory or peripheral device mounting such as a phone or scanner.



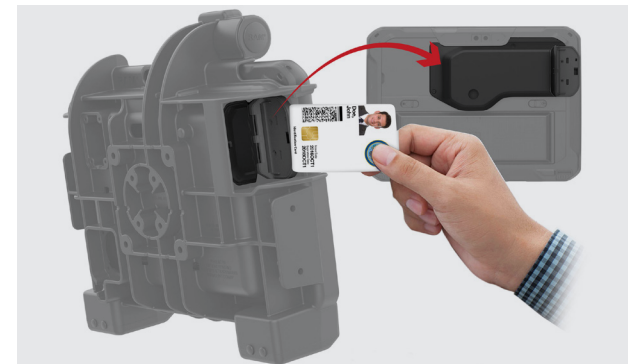
TEMP MODULE COMPATIBLE

Temp Module Compatible holders allow you to connect the RAM® Vent-Temp™ or Temp-Right™ to warm up or cool down your device. These docks are compatible with temperature control accessories such as the RAM® Vent-Temp™ or Temp-Right™ for keeping your device at safe temperatures in extreme environments.



NFC Extender Compatible

NFC Reach™ Compatible holders allow you to connect the RAM® NFC Reach™ NFC Extender.



Zebra CAC Reader Compatible

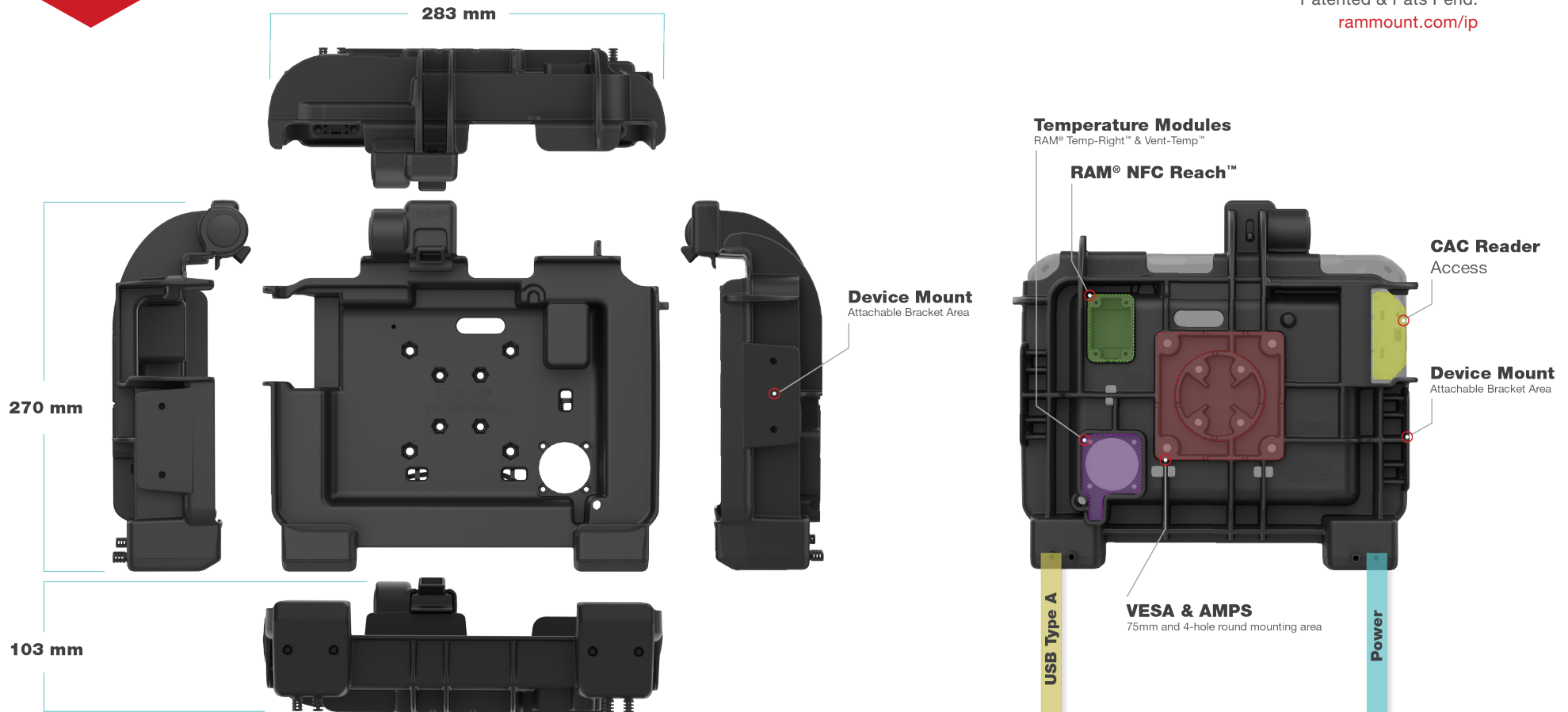
New to the ET60/ET65 is Common Access Card (CAC) support. Since Zebra provides an external CAC reader as an upgrade when purchasing any ET6x, RAM® Mounts made sure the vehicle docks would allow access to the card slot so public safety officers and other government workers can insert their PIV card without removing the device.



RAM® Docks for ET60 / ET65 / ET60W / ET65W

SPECIFICATIONS

Patented & Pats Pend.
rammount.com/ip



SPECIFICATIONS

DIMENSIONS

10.62" (H) x 11.13"(W) x 4.05"(D)
27.9cm(H) x 28.27cm(W) x 10.28cm(D)

CERTIFICATIONS

FCC, IC, CE, UKCA, WEEE, RoHS

PERIPHERAL POWER OUTPUT

900mA @ 5VDC (1x USB)
1.8A @ 5VDC (2x USB)

DATA CABLE LENGTH

0.25 Meters

DATA CONNECTOR TYPE

USB Type-A Female

HARDWARE POWER SUPPLIES

RAM-GDS-CHARGE-V9U
RAM-GDS-CHARGE-V10U

INPUT VOLTAGE

19VDC

POWER CABLE LENGTH

1 Meter

POWER CONNECTOR TYPE

5.5mm DC Connector Female



RAM® Docks for ET60 / ET65 / ET60W / ET65W

ACCESSORIES

Patent Pending
rammount.com/ip



RAM-GDS-ROTO2-ZE25U

GDS® Roto-Mag™ 4-in-1 Accessory

- Ergonomic 4-in-1 accessory designed specifically for the Zebra ET60 / ET65 featuring an adjustable kickstand, hand strap, integrated magnets, and rotating hand grip
- Hand grip rotates 360-degrees and includes four built-in magnets covered with rubber for friction for mounting to flat ferromagnetic surfaces
- Kickstand is fully retractable when not in-use and includes rubber feet for stability
- Backed by a lifetime warranty





RAM® Docks for ET60 / ET65 / ET60W / ET65W

COMPATIBLE MOUNTS

Patented & Pats Pend.

rammount.com/ip



RAM-D-101U-2461

RAM® Double Ball Mount with 75x75mm VESA Plate - D Size Medium



RAM-VP-89F-D-101-2461U

RAM® Tele-Pole™ with 8" & 9" Poles and 75mm VESA Mount



RAM-VP-1218F-D-101-2461U

RAM® Tele-Pole™ with 12" & 18" Poles and 75mm VESA Mount



RAM-D-2461U-C-247-4

RAM® 4" Square Post Clamp Mount with 75x75mm VESA Plate



CUSTOM VEHICLE BASE

Pair above mounts with a custom vehicle base



UNIVERSAL VEHICLE BASE

Pair above mounts with a universal vehicle base

ACCESSORIES



RAM-GDS-CAB-NFCU

RAM® NFC Reach™ NFC Extender



RAM-B-102-NFCU

RAM® NFC Reach™ NFC Extender with Drill-Down Double Ball Mount



RAM-VENT1-RND-50U

RAM® Vent-Temp™ with Back Dock Connection for Round Vents



RAM-VENT1-RCT-50U

RAM® Vent-Temp™ with Back Dock Connection for Rectangular Vents



RAM® TEMP-RIGHT™ DOCK HEATING MODULE

Contact support@rammount.com for more details